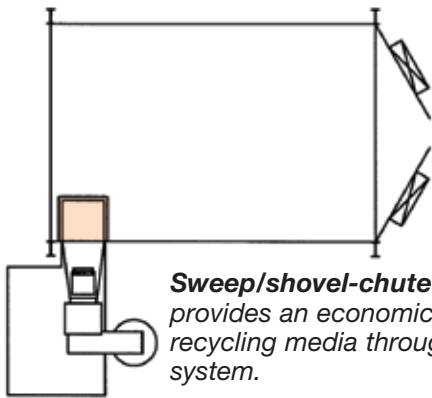


## RECOVERY FLOORS: FROM SIMPLE TO SOPHISTICATED

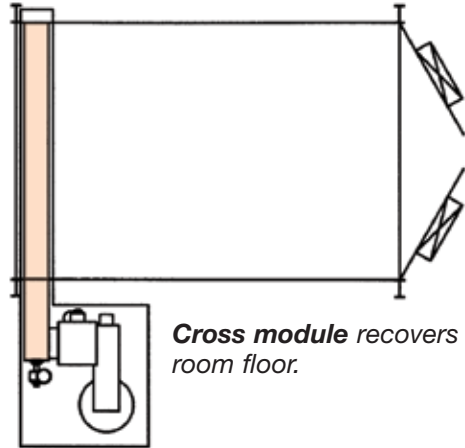
Empire offers recovery floors to meet almost any budget and production requirements. The sweep-chute floor shown below, for instance, delivers the economic and environmental benefits of media recycling at a modest cost.

In higher volume applications where both production speed and labor cost become important considerations, you can select the type of floor (vibratory, pneumatic or screw) and the degree of sophistication best suited for your operation.

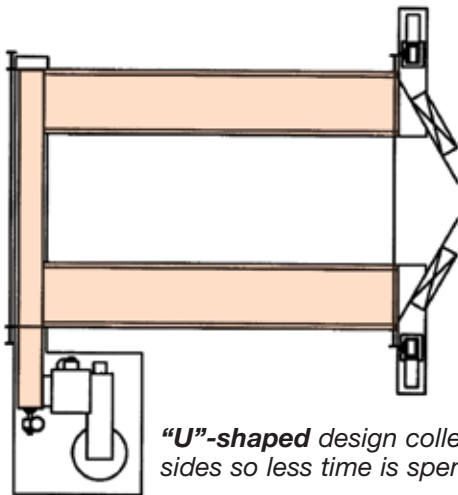
Empire's partial floors are available in single cross-module and U-shape designs. If you require a larger work area, the U-shape, which retrieves media from both sides of the room, can be expanded into an H configuration. Likewise, our full-recovery floors, which eliminate the need for sweeping, can be expanded in modular fashion to handle work pieces of almost any size.



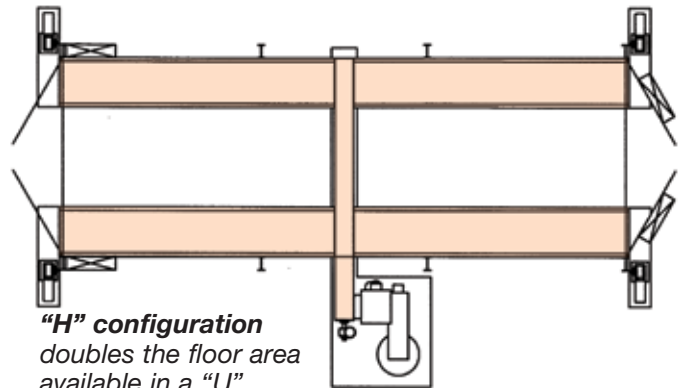
**Sweep/shovel-chute** recovery system provides an economical method for recycling media through the air-wash system.



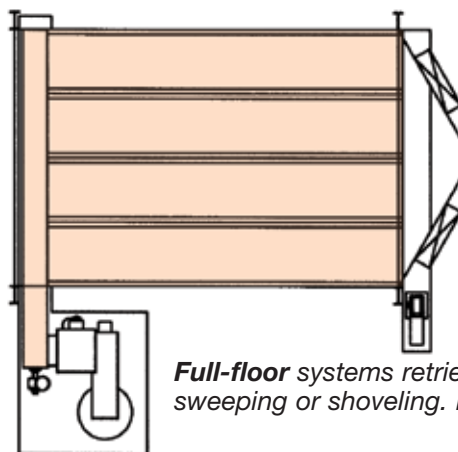
**Cross module** recovers media from room floor.



**"U"-shaped** design collects from both sides so less time is spent on sweep in.



**"H" configuration** doubles the floor area available in a "U" arrangement.



**Full-floor** systems retrieve media more quickly and reduce labor costs by eliminating the need for sweeping or shoveling. Floors exceeding 30' feature a cross module between long modules.

