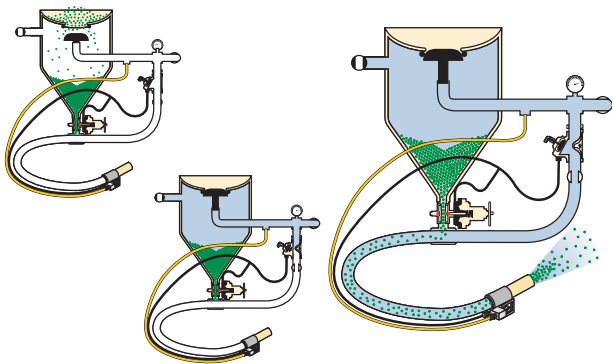


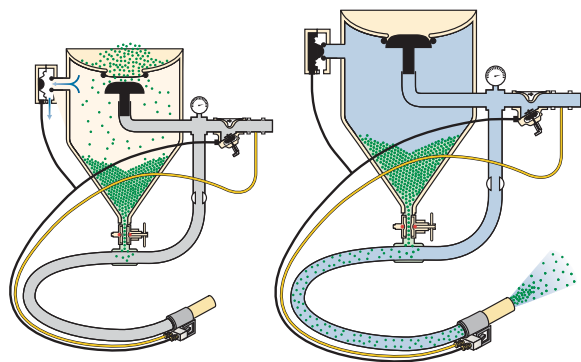
## CONTROL SYSTEMS DESIGNED FOR SAFETY AND PROFIT

Empire gives you the choice of two remote operating systems. Either can be specified with pneumatic or electric controls and all conform to OSHA. The four configurations share a simple, reliable design that shuts down blasting when the “on/off” trigger is released for operator safety. The key difference between the electric and pneumatic arrangements is that the electric systems perform better in cold weather and provide faster “start/stop,” especially when the pressure vessel is far from the operator.

Manual controls, which can later be upgraded to remotes, are also available, but these systems require a tender at the vessel to assist in operating the system.



**780 (pot-under-pressure) controls**, used with Empire’s SuperBlast, PRS and FaStrip systems, stop blasting when the “on/off” trigger is released while maintaining pressure in the vessel. This arrangement, which conserves compressed air and is easiest on system components, is especially useful for spot blasting because of the fast restarts it provides.

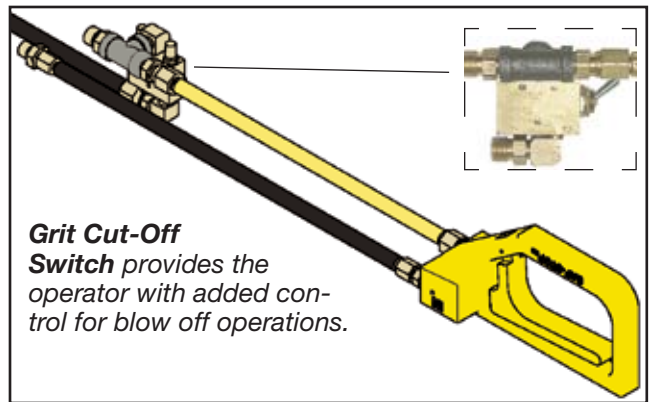


**680 (blow-down) controls**, used on SuperBlast and Econo-Blast portables, vent pressure from the vessel when the “on/off” trigger is released. This setup makes blasting easier for a single operator and permits automatic grit refills.

## Saf-Stop II™ Safety Switch

Empire’s **Saf-Stop II control device** (Patent No. 3,834,082) adds essential safety to any blasting operation by shutting down the system if the pneumatic control hose gets cut, crimped or crushed. The control comes with a large, easy-to-manage handle protected by a guard.

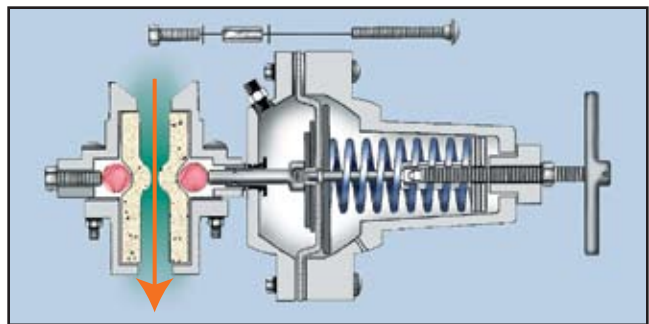
Another control option, which can be added to the handle, is Empire’s grit cut-off switch. With the switch installed, media feed to the air line can be turned on and off, enabling the operator to blow off media and dust before parts exit a blast enclosure.



## The Sure-Flo® Grit Valve

A key to the popularity of SuperBlast portables is our **Sure-Flo grit valve and media regulator** (Patent No. 4,518,145). The media path through the valve is straight down, assuring dependable flow. Abrasive media contact only one part, a gum-rubber pinch tube. Not only is the tube exceptionally long lasting, it is also inexpensive and simple to replace—even in the field—meaning you enjoy more productive time and virtually maintenance-free operation.

With the Sure-Flo, metering is easy and precise, saving you mountains of media. It’s as simple as turning a handle. Also, a variety of tube sizes are available to meet special application requirements.



Patented **Sure-Flo valve** brings any blaster up to a higher level of performance and, when teamed with Empire products, the combination is unbeatable.