



CLIMATE CONTROL DEVICE 4000-01

INSTRUCTION MANUAL

*Read all instructions and warnings before using this product.
Save this manual for future reference.*





RPB LIMITED
10 Holt Place, Harewood
Christchurch, New Zealand
 Tel: 1 866 494 4599
 Fax: 1 866 494 4509
 Email: info@rpbresp.com



TYPE C and CE CONTINUOUS FLOW, SUPPLIED-AIR RESPIRATOR
THESE RESPIRATORS ARE APPROVED ONLY IN THE FOLLOWING CONFIGURATIONS

RESPIRATOR COMPONENTS																												
TC No.	Protection ¹	M O D E L	Alternate Helmets		Alternate Flow Regulator and Belt				Alternate Capes			Alternate Quick Disconnect				Alternate Hoses			Breathing Air Tube	Alternate Visor		Alternate Lenses			Cautions & Limitations ²			
			NV2001	02-803	NV2016	4000-01	NV2015	4000-20	NV2002	NV2002L	NV2002XL	02-813	NV2025	NV2024	NV2032	NV2034	NV2037	NV2028	NV2029	NV2035	NV2036	NV2021	NV2004	02-804		NV2018	NV2031	NV2017
19C-363	SA/CF/SB	NOVA 2000	X		X	X		X	X	X	X					X	X			X	X		X	X	X			ABCDEJMNOS
19C-417	SA/CF/SB	ASTRO		X	X						X	X	X	X		X	X			X		X				X	X	ABCDEJMNOS
19C-422	SA/CF/SB	NOVA 2000	X				X	X	X	X				X	X				X	X	X	X		X	X	X		ABCDEJMNOS
19C-423	SA/CF/SB	ASTRO		X			X				X				X	X			X	X	X		X			X	X	ABCDEJMNOS

1. PROTECTION

CF - Continuous flow SA - Supplied-Air SB - Supplied-Air Abrasive Blast

2. CAUTIONS AND LIMITATIONS

- A - Not for use in atmospheres containing less than 19.5% oxygen.
- B - Not for use in atmospheres immediately dangerous to life and health.
- C - Do not exceed maximum use concentrations established by regulatory standards.
- D - Air-line respirators can be used only when the respirators are supplied with respirable air meeting the requirements of CGA G-7.1 Grade D or Higher Quality.
- E - Use only the pressure ranges and hose lengths specified in the User's Instructions.
- J - Failure to properly use and maintain this product could result in injury or death.
- M - All approved respirators shall be selected, fitted, used and maintained in accordance with MSHA, OSHA, and other applicable regulations.
- N - Never substitute, modify, add, or omit parts. Use only exact replacement parts in the configuration as specified by the manufacturer.
- O - Refer to User's instructions, and /or maintenance manuals for information on use and maintenance of these respirators.
- S - Special or critical User's instructions and /or specific Limitations apply. Refer to User's Instructions page 2 breathing air pressure table.

INTRODUCTION

The 4000-01 Cold Air Tube is NIOSH approved to supply a continuous flow of cool or warm compressed air to the Nova 2000 Supplied Air Respirator. All NOVA 2000 Genuine Parts must be present and correctly assembled to constitute a NIOSH approved respirator.

AIR QUALITY

The respirator must be supplied at all times with clean breathable air Grade D or better. Always use an inlet filter on your compressor - locate your compressor in a clean environment. The AIR QUALITY must be constantly monitored to ensure Grade D air is supplied at all times. A carbon monoxide alarm must always be used.

!WARNING! Do not connect the air supply hose to nitrogen, toxic gases, inert gases or any other non Grade D air source.

AIR PRESSURE

The air pressure supplied to the respirator must be continuously monitored to ensure it keeps within the specified range as detailed on the breathing air pressure tables.

!WARNING! Make sure the correct table is used. When using 4000-01 use (Fig3) Breathing Air Pressure Table.

!WARNINGS!

- DO NOT use the 4000-01 until you have been trained in its use, maintenance and limitations by a qualified individual (appointed by your employer) who has extensive knowledge of the 4000-01.
- DO NOT ingest the ice that may form around the cold air outlet as it could contain oils or toxic element that could cause illness or death.
- USE ONLY NIOSH approved NOVA 2000 air supply hose.
- DO NOT modify or alter parts of the respirator. The use of non approved parts voids the entire approval of the Respirator.

COLD AIR SET UP AND USE

- 1 To supply cold air to the respirator connect the outlet to the NV2021 breathing tube and tighten by hand. (Fig1).
- 2 Connect the NIOSH approved air supply hose to a breathing air source, supplying Grade D or better quality air. Connect the air supply hose to the 4000-01 quick disconnect tail. (FIG2).
- 3 With air flowing through the respirator, adjust the air pressure at the point of attachment. (Fig 2) to the recommended air pressure specified in the BREATHING AIR PRESSURE TABLE (Fig3). **!WARNING!** Make sure you understand the breathing air pressure table before using the respirator. Make sure you set the correct air pressure for the correct supply hose length.

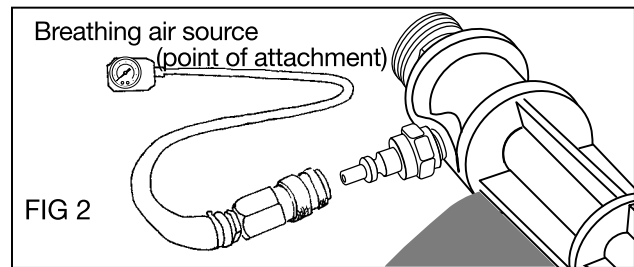
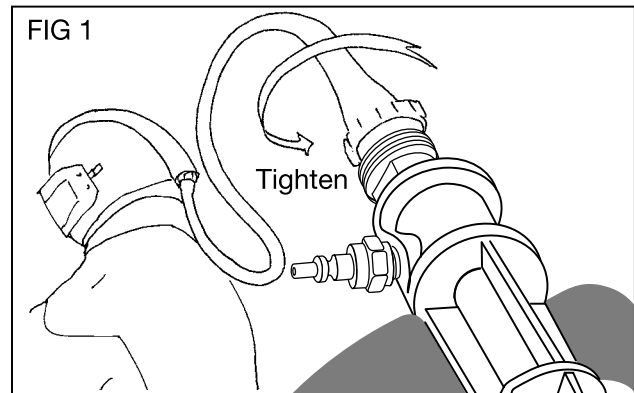
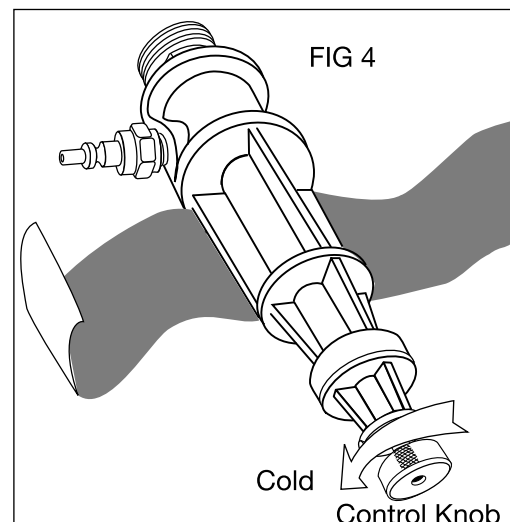


Fig 3

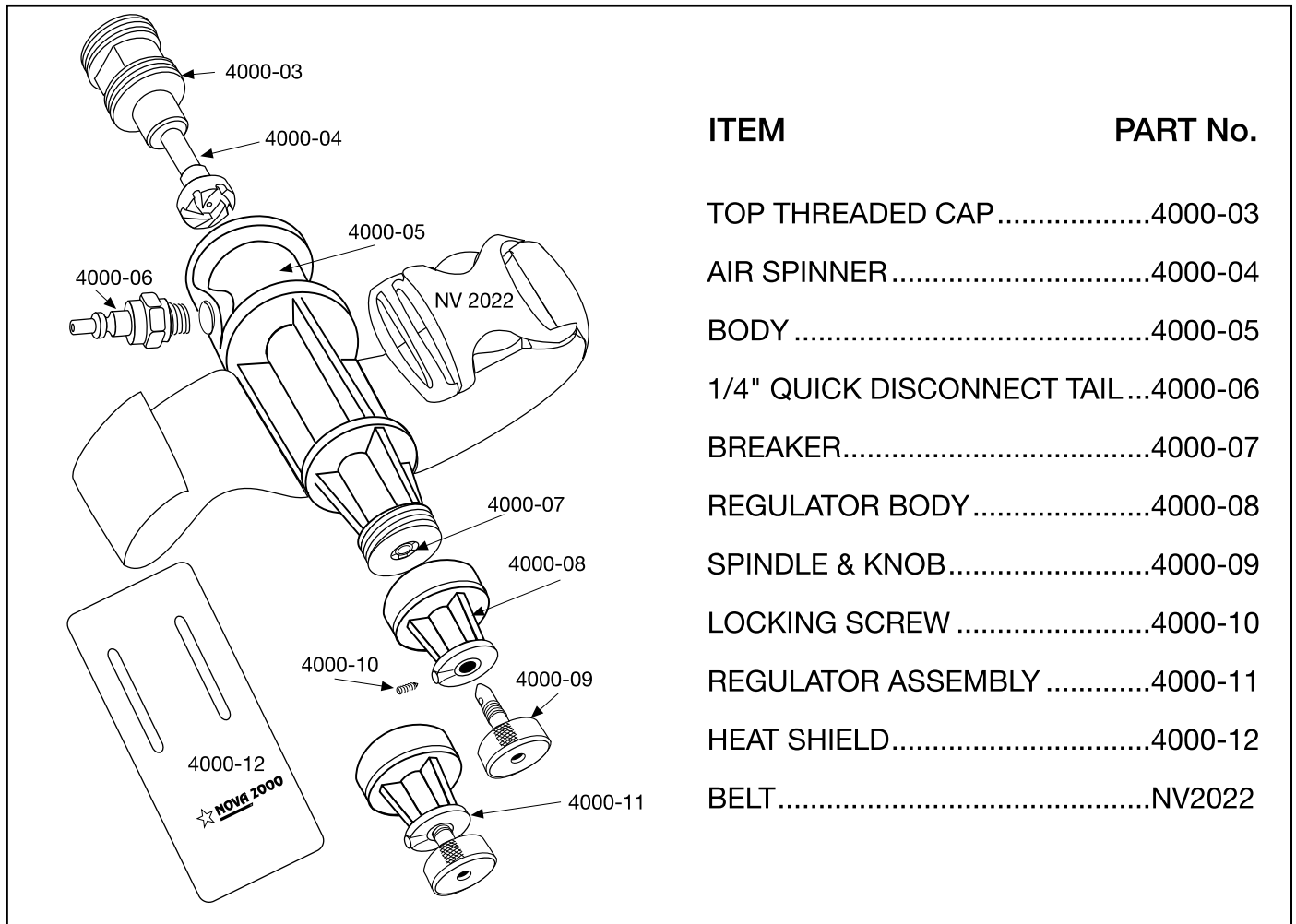
BREATHING AIR PRESSURE TABLE					
AIR SOURCE	BREATHING TUBE ASSEMBLY	AIR SUPPLY HOSE	AIR SUPPLY HOSE LENGTH	MAX NUMBER OF SECTIONS	PRESSURE RANGE (PSIG Air)
Portable or	4000-01 Cold Air Tube	NV2028/ NV2029	25	1	55 - 56
			50	1	55 - 57
Stationary			100	2	60 - 62
			150	3	65 - 67
Compressor			200	4	70 - 72
			250	5	77 - 78
			300	6	80 - 82

- 4 To obtain cooler air turn the regulator control knob anti clockwise, this will increase the airflow out of the exhaust port (FIG4). Turn the knob clockwise to obtain air closer to ambient temperature. **!WARNING!** DO NOT USE THE 4000-01 when ambient temperature is below 68° (20°C) as ice could form in the cold air outlet and reduce airflow.



- 5 With the compressed air flowing into the respirator at the correct pressure range for the correct supply hose length you are now ready to enter the work area. Do not remove your helmet until you are outside the blasting area. **!WARNING!** Leave work area immediately if you are unwell, airflow stops or slows down, breathing becomes difficult, you become dizzy, too cold or if any respirator part is damaged.

CCT 4000 PARTS LIST



ITEM	PART No.
TOP THREADED CAP	4000-03
AIR SPINNER	4000-04
BODY	4000-05
1/4" QUICK DISCONNECT TAIL ...	4000-06
BREAKER.....	4000-07
REGULATOR BODY	4000-08
SPINDLE & KNOB.....	4000-09
LOCKING SCREW	4000-10
REGULATOR ASSEMBLY	4000-11
HEAT SHIELD.....	4000-12
BELT.....	NV2022

!WARNING!

Due to the high noise levels created during abrasive blasting earplugs must be worn at all times. During Abrasive Blasting operations do not use Silica Sand, the use of Silica Sand can cause serious respiratory disease or death, refer: www.osha.gov/Silica.IT69D_1.html



Did you know...
We can also supply you with the following!



The **NOVA 2000** has been designed for blasting professionals. The NOVA 2000 is the most advanced abrasive blasting helmet available, with fully padded pillow foam liner for extra comfort and noise attenuation, wide angle vision, even air distribution ensures a pleasant working environment, optional climate control devices. Things cannot get much better!



ASTRO is your number one choice economy Abrasive Blasting Helmet, which meets safety standards worldwide. This is the lightweight, robust Helmet you have been waiting for. It helps to reduce fatigue, reduce down time and increase productivity.



The **RADEX Airline Filter** offers you more capacity, versatility & filtration. You can combine the versatility of either floor or wall mounting with increased filtration capacity. Our range of optional equipment means you can customize your filter to meet your requirements.



Stay cleaner with **Head Socks** and **Spray Hoods**. One size fits all. The cool comfortable Spray Hood protects from over spray and sanding dust. The Head Sock can be worn as a hygienic helmet liner.



CONTACT YOUR DISTRIBUTOR TODAY!

Phone: 1-866-494-4599 Fax: 1-866-494 4509 Email: info@rpbresp.com